

MDR-60-48

60W Single Output Industrial DIN RAIL Power Supply



Features

- Universal AC input / Full range
- Protections: Short circuit / Overload / Over voltage
- Cooling by free air convection
- Can be installed on DIN rail TS-35/7.5 or 15
- Class I, Div 2 Hazardous Locations T4
- LED indicator for power on
- No load power consumption < 0.75W
- 100% full load burn-in test
- 3 years warranty



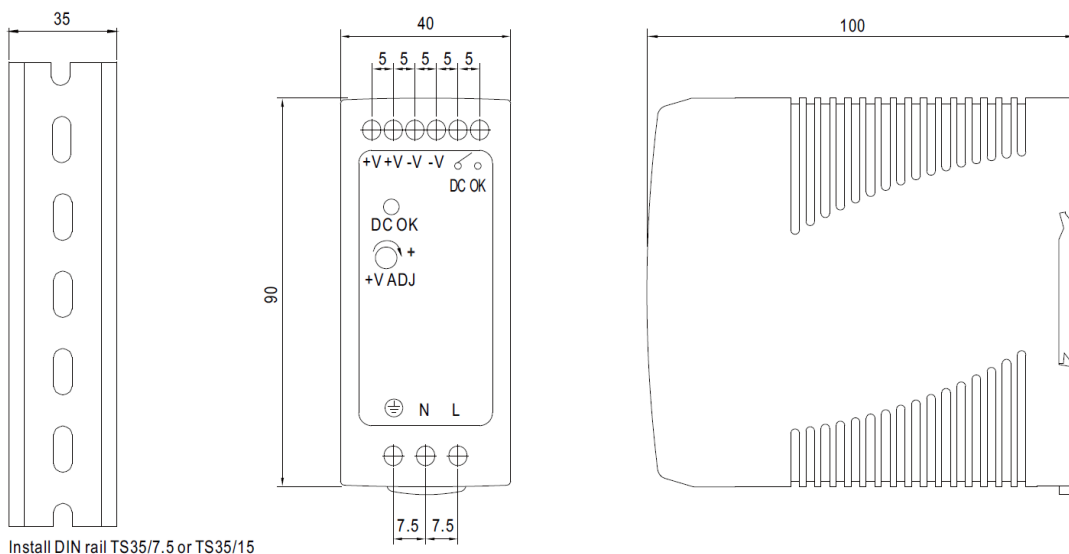
Specification

| MODEL | MDR-60-48 | |
|--------------------------|---|---|
| OUTPUT | DC VOLTAGE | 48V |
| | RATED CURRENT | 1.25A |
| | CURRENT RANGE | 0 ~ 1.25A |
| | RATED POWER | 60W |
| | RIPPLE & NOISE (max.) | Note.2 200mVp-p |
| | VOLTAGE ADJ. RANGE | 48 ~ 56V |
| | VOLTAGE TOLERANCE | Note.3 ±1.0% |
| | LINE REGULATION | ±1.0% |
| | LOAD REGULATION | ±1.0% |
| | SETUP, RISE TIME | Note.5 500ms, 30ms/230VAC 500ms, 30ms/115VAC at full load |
| HOLD UP TIME (Typ.) | 50ms/230VAC 20ms/115VAC at full load | |
| INPUT | VOLTAGE RANGE | 85 ~ 264VAC 120 ~ 370VDC |
| | FREQUENCY RANGE | 47 ~ 63Hz |
| | EFFICIENCY (Typ.) | 87% |
| | AC CURRENT (Typ.) | 1.8A/115VAC 1A/230VAC |
| | INRUSH CURRENT (Typ.) | COLD START 30A/115VAC 60A/230VAC |
| | LEAKAGE CURRENT | <1mA / 240VAC |
| PROTECTION | OVERLOAD | 105 ~ 150% rated output power Protection type : Constant current limiting, recovers automatically after fault condition is removed |
| | OVER VOLTAGE | 57.6 ~ 64.8V Protection type : Shut down o/p voltage, re-power on to recover |
| FUNCTION | DC OK SIGNAL | Relay contact rating(max.): 30V/1A resistive |
| ENVIRONMENT | WORKING TEMP. | -20 ~ +70°C (Refer to "Derating Curve") |
| | WORKING HUMIDITY | 20 ~ 90% RH non-condensing |
| | STORAGE TEMP., HUMIDITY | -40 ~ +85°C, 10 ~ 95% RH |
| | TEMP. COEFFICIENT | ±0.03%/°C (0 ~ 50°C) |
| SAFETY & EMC (Note 4) | VIBRATION | Component : 10 ~ 500Hz, 2G 10min./1cycle, period for 60min. each along X, Y, Z axes ; Mounting : Compliance to IEC60068-2-6 |
| | SAFETY STANDARDS | UL508, UL60950-1, TUV EN60950-1, Class I, Div. 2 Group A, B, C, D Hazardous Locations T4 approved |
| | WITHSTAND VOLTAGE | I/P-O/P:3KVAC I/P-FG:2KVAC O/P-FG:0.5KVAC |
| | ISOLATION RESISTANCE | I/P-O/P, I/P-FG, O/P-FG:>100M Ohms / 500VDC / 25°C / 70% RH |
| | EMC EMISSION | Compliance to EN55011, EN55032 (CISPR32), EN61204-3 Class B, EN61000-3-2,-3 |
| EMC IMMUNITY | Compliance to EN61000-4-2, 3, 4, 5, 6, 8, 11, EN55024, EN61000-6-2, EN61204-3, heavy industry level, criteria A | |

| | | |
|---------------|--|--------------------------------------|
| MODEL | MDR-60-48 | |
| OTHERS | MTBF | 299.2K hrs min. MIL-HDBK-217F (25°C) |
| | DIMENSION | 40*90*100mm (W*H*D) |
| | PACKING | 0.33Kg; 42pcs/14.8Kg/0.82CUFT |
| NOTE | <ol style="list-style-type: none"> All parameters NOT specially mentioned are measured at 230VAC input, rated load and 25°C of ambient temperature. Ripple & noise are measured at 20MHz of bandwidth by using a 12" twisted pair-wire terminated with a 0.1uf & 47uf parallel capacitor. Tolerance : includes set up tolerance, line regulation and load regulation. The power supply is considered a component which will be installed into a final equipment. The final equipment must be re-confirmed that it still meets EMC directives. Length of set up time is measured at cold first start. Turning ON/OFF the power supply may lead to increase of the set up time. | |

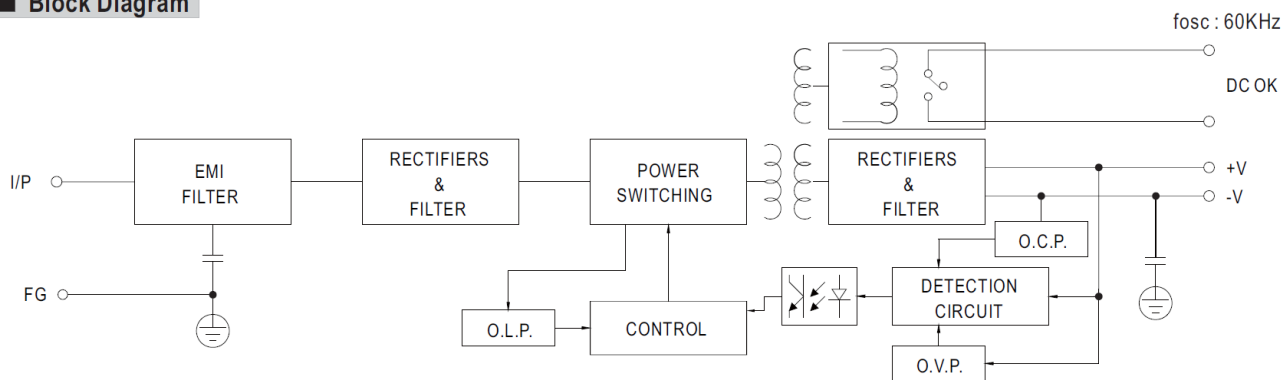
Mechanical Specification

Case No.962A Unit:mm



Install DIN rail TS35/7.5 or TS35/15

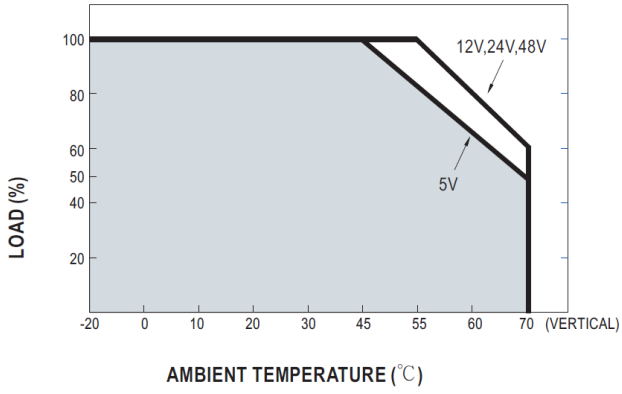
Block Diagram



DC OK Relay Contact

| | |
|------------------------|--------------------------|
| Contact Close | PSU turns on / DC OK. |
| Contact Open | PSU turns off / DC Fail. |
| Contact Ratings (max.) | 30V/1A resistive load. |

■ Derating Curve



■ Output Derating VS Input Voltage

